

New Shell for Vertical Configuration iDiskOnChip 40/44-Pin Versions

Product Update, May 2005
Liran Lanir (liran.lanir@m-systems.com)

Description

This Product Update replaces PU-DOC-0605 that specified the upgrades in iDOC vertical configuration shell.

1. The shell for iDiskOnChip, vertical configuration has been upgraded. The new shell offers a lower height (with unchanged width and thickness), and is composed of materials that provide better ruggedness. The new shell will be black instead of the current gray color.

The triangle at the top of the current iDiskOnChip vertical shell is being eliminated. This reduces the height of the 40-pin version (Figure 1) from 30.6 mm to 28.7 mm, and the height of the 44-pin version (Figure 2) from 31.2 mm to 27.85 mm.

The changes that were made are external only (no changes in the PCB) and have no influence on the functionality of the product.

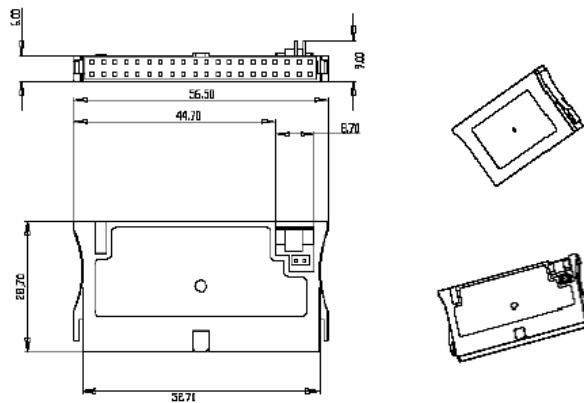


Figure 1: New iDiskOnChip Vertical 40-Pin Shell

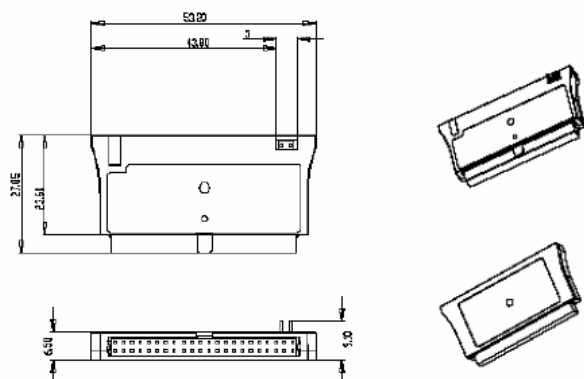


Figure 2: New iDiskOnChip Vertical 44-Pin Shell

Product	Current Shell		New Shell	
	Dimensions	Color	Dimensions	Color
iDiskOnChip 40-pin version	56.5 x 6.0 x 30.6 mm	Grey	56.5 x 6.0 x 28.7 mm	Black
iDiskOnChip 44-pin version	53.2 x 6.5 x 31.2 mm		53.2 x 6.5 x 27.85 mm	

- The iDOC vertical with new shell is going to have a new label that includes the CE/FCC marking (Figures 3, 4)



Figure 3: New Label for iDOC Vertical 40 Pin



Figure 4: New Label for iDOC Vertical 44 Pin

Ordering Information

iDiskOnChip with the new vertical shell has the same ordering information as the current one but the product version will be changed to C-1.09, as described below.

Note: The Dxxxx suffix is determined by the capacity being ordered. For example, a 16MB iDiskOnChip vertical 40-pin unit will have the ordering information MD1150-D16.

Package Type	Available Capacities	Ordering Information	New Product Version
Vertical 40-pin	16MB to 1536MB	MD1150-Dxxxx	C-1.09
Vertical 44-pin		MD1151-Dxxxx	C-1.09

(The shell-less version of iDiskOnChip will continue to be available in mass production in both 40 and 44-pin configurations, in capacities ranging from 16MB to 1536MB.)

Reason for Change

The new iDiskOnChip shell provides improved ruggedness in a shorter physical profile that enables iDiskOnChip to be designed into applications with strict height constraints.

Availability

May 2005

Compatibility

The new iDiskOnChip shell affects only the mechanical dimensions of the product, and does not affect product compatibility in any way.

How to Contact Us

Please contact your M-Systems representative or visit the DiskOnChip web page on the M-Systems website (www.m-systems.com) for any further information or assistance.

Liran Lanir
DiskOnChip Product Manager
Embedded Division